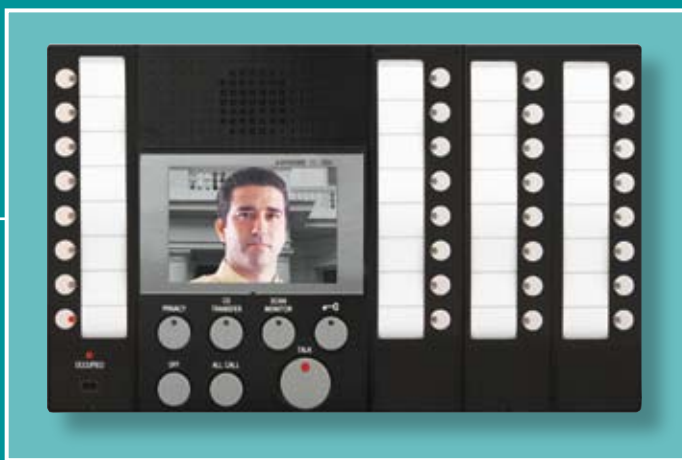




AX Series

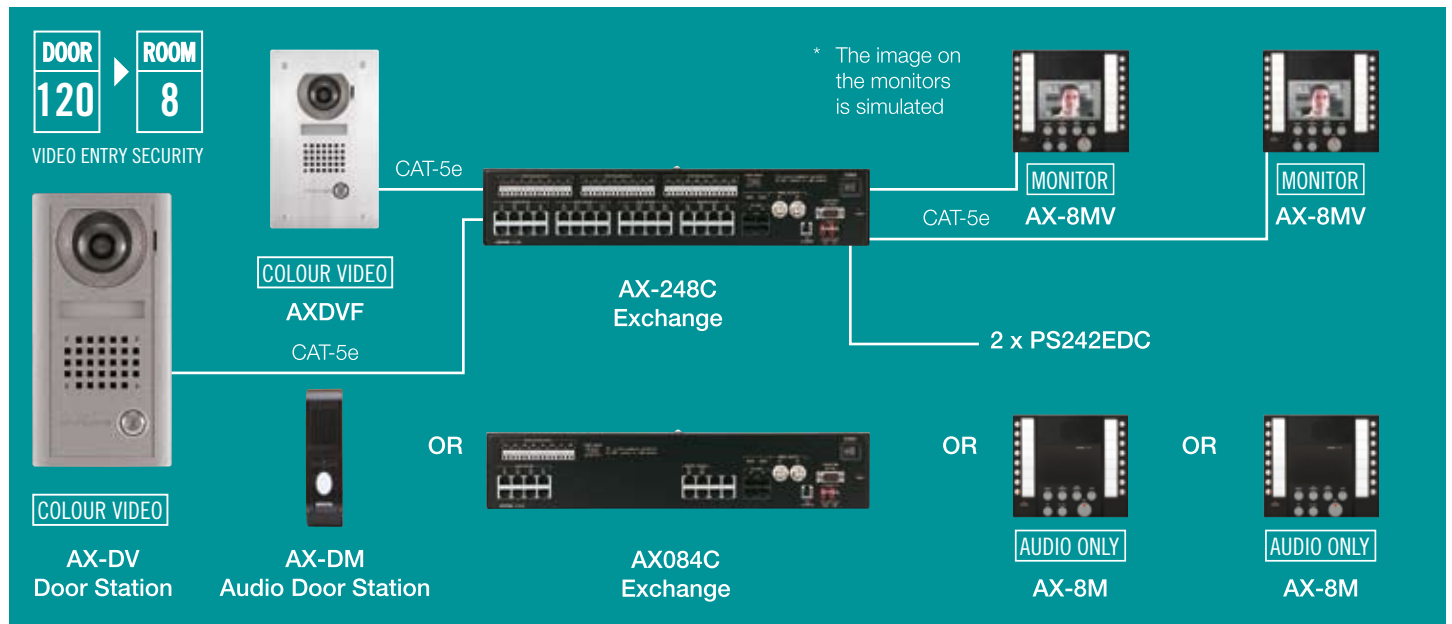
120 entry and 8 stations



**Handsfree Colour Audio
Video Entry Security system**

AX Colour Video Intercom

Video Handsfree Colour



Features

- 120 video door station and up to 8 video room stations*
- Vandal resistant video door stations
- Video door stations with insert to mount HID Prox reader are available
- Handsfree communications
- All Call and selective call to all master stations
- 2 video and audio communication channels
- Audio and video master stations available
- Simple wiring with Cat5e cable home run
- n/o or n/c door release output for each door station
- Compatible with all IE Series door stations
- RS232 Port for programming and call logging (software included)
- 2 NTSC Video outputs with open collector trigger
- RJ-45 Connection on exchange, masters & video door stations
- Scan monitoring feature
- Flush mount stainless steel kit for master stations available

* Requires AX320C and AX16SW modules

Cables

Cat5e cable must be used for all master stations and video door stations. Figure eight cable can be used for audio door stations only but will require RJ-45 connector fitted at the exchange end.

Wiring

Wiring must be homerun not daisy chained. Underground grade Cat5e must be used for all underground cable runs.

Specification

Power Source	24 volts DC 2 power supplies required for video PS242EDC or PS2420
Video Monitor	3 1/2" TFT Colour LCD
Night viewing	White light projected up to 30cm from camera. Background scene beyond 30cm cannot be seen.
Door Release	N/O or N/C programmable per door station 24 volts AC/DC 500mA
Wiring	Cat5e cable from exchange to each master and door station
Distance	Door to exchange 300m Master to exchange 300m

Additional Options

AX032C
AX16SW
IER2
AXHS
AXFMD1
AXDVP
AXDVFP

Your local Aiphone reseller:

