

Network Video Recorder

NVR302 Series



Key Features

- Support H.265/H.264 video formats
- Support TVI,AHD, CVI,CVBS, IP cameras with adaptive access
- 8/16-channel BNC input
- Up to 8MP resolution for recording
- Support 1-ch HDMI output at up to 4K, 1-ch VGA output at up to 1920*1080
- Long transmission distance over coax cable

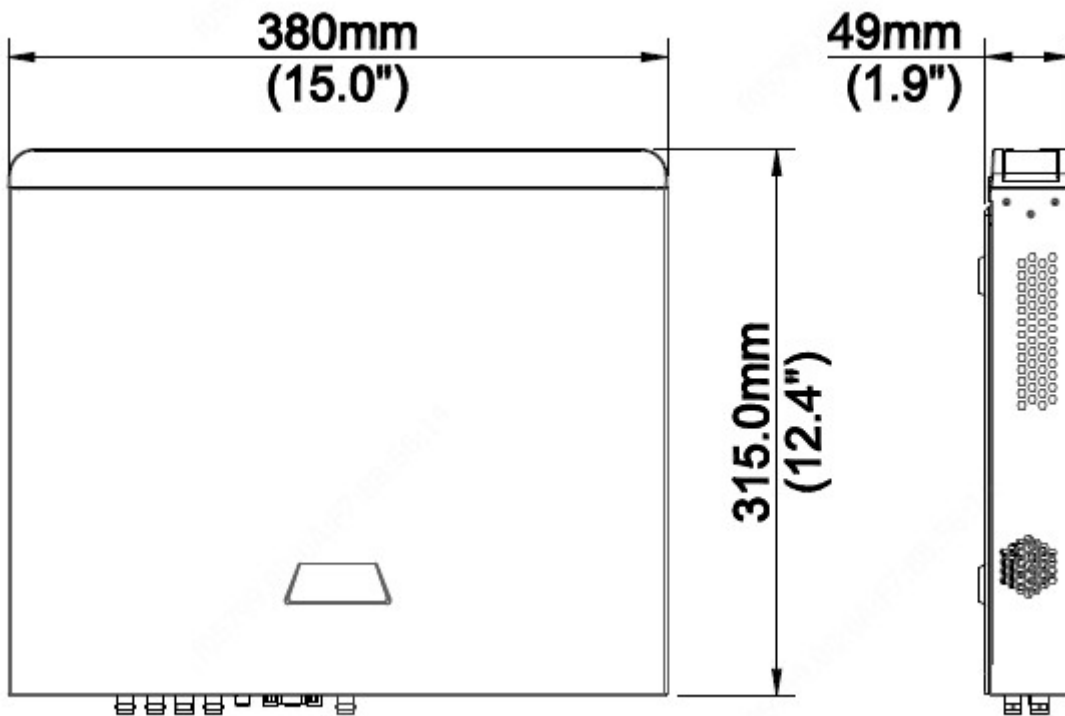
Specifications

Model	NVR302-08Q	NVR302-08U	NVR302-16Q
Video/Audio Input			
Analog Video Input	8-ch, BNC	8-ch, BNC	16-ch, BNC
IP Video Input	4-ch	8-ch	8-ch
Supported Analog Camera Types	Support AHD input: 8MP@20fps (channel1-channel2) 5MP@20fps(channel1-channel2) 4MP@30fps 3MP@30fps(channel1 - channel2) 1080P@30fps 720P@60fps Support TVI input: 8MP@15fps(channel1-channel2) 5MP@20fps(channel1-channel2) 4MP@30fps 3MP@20fps (channel1 - channel2) 1080P@30fps	Support AHD input: 8MP@15fps 5MP@20fps 4MP@30fps 3MP@30fps 1080P@30fps 720P@60fps Support TVI input: 8MP@15fps 5MP@20fps 4MP@30fps 3MP@20fps 1080P@30fps	Support AHD input: 8MP@15fps(channel1-channel4) 5MP@20fps(channel1-channel4) 4MP@30fps 3MP@30fps (channel1 - channel4) 1080P@30fps 720P@60fps Support TVI input: 8MP@15fps(channel1-channel4) 5MP@20fps(channel1-channel4) 4MP@30fps 3MP@20fps (channel1 - channel4) 1080P@30fps

	720P@60fps Support CVI input: 8MP@15fps(channel1-channel2) 4MP@30fps 1080P@30fps 720P@60fps Support CVBS input	720P@60fps Support CVI input: 8MP@15fps 4MP@30fps 1080P@30fps 720P@60fps Support CVBS input	720P@60fps Support CVI input: 8MP@15fps(channel1-channel4) 4MP@30fps 1080P@30fps 720P@60fps Support CVBS input
Audio Input	1-ch, RCA	4-ch, RCA	1-ch, RCA
Two-way Audio	1-ch, RCA	1-ch, RCA	1-ch, RCA
Channel Associated Audio	1-ch, RCA	4-ch, RCA	1-ch, RCA
Network			
Incoming Bandwidth	40Mbps	64Mbps	40Mbps
Outgoing Bandwidth	64Mbps	64 Mbps	80Mbps
Remote Users	128		
Protocols	TCP/IP, P2P, UPnP, NTP, DHCP, PPPoE		
Video/Audio Output			
CVBS Output	1-ch, BNC	1-ch, BNC	1-ch, BNC
VGA Output	1920x1080p/60Hz, 1920x1080p/50Hz, 1600x1200/60Hz, 1280x1024/60Hz, 1280x720/60Hz, 1024x768/60Hz		
HDMI Output	1920x1080p/60Hz, 1920x1080p/50Hz, 1600x1200/60Hz, 1280x1024/60Hz, 1280x720/60Hz, 1024x768/60Hz	4K(3840X2160)/60Hz, 4K(3840X2160)/30Hz, 1920x1080p/60Hz, 1920x1080p/50Hz, 1600x1200/60Hz, 1280x1024/60Hz, 1280x720/60Hz, 1024x768/60Hz	1920x1080p/60Hz, 1920x1080p/50Hz, 1600x1200/60Hz, 1280x1024/60Hz, 1280x720/60Hz, 1024x768/60Hz
Recording Resolution	3MP/1080P/960P/720P/960H/4CIF/ CIF	8MP/5MP/4MP/3MP/1080P/960 P/720p/960H/4CIF/CIF	3MP/1080P/960P/720P/960H/4CIF/CIF
Audio Output	1-ch, RCA		
Synchronous Playback	8-ch	8-ch	16-ch
Decoding			
Decoding format	H.265/H.264		
Live View/ Playback	12MP/8MP/5MP/4MP/3MP/1080P/ 960P/720P/960H/4CIF/CIF/QCIF	12MP/8MP/5MP/4MP/3MP/1080 P/960P/720p/960H/4CIF/CIF/QCIF	12MP/8MP/5MP/4MP/3MP/1080P/960 P/720P/960H/4CIF/CIF/QCIF
Capability	1 x 4K@30, 1 x 6MP@30, 1 x 5MP@30, 2 x 4MP@30, 2 x 3MP@30, 3 x 3MP@25, 4 x 1080p@30, 8 x 720p@30,		2 x 4K@30, 2 x 6MP@30, 3 x 5MP@30, 4 x 4MP@30, 4 x 3MP@30, 6 x 3MP@25, 8 x 1080p@30, 16 x 720p@30,

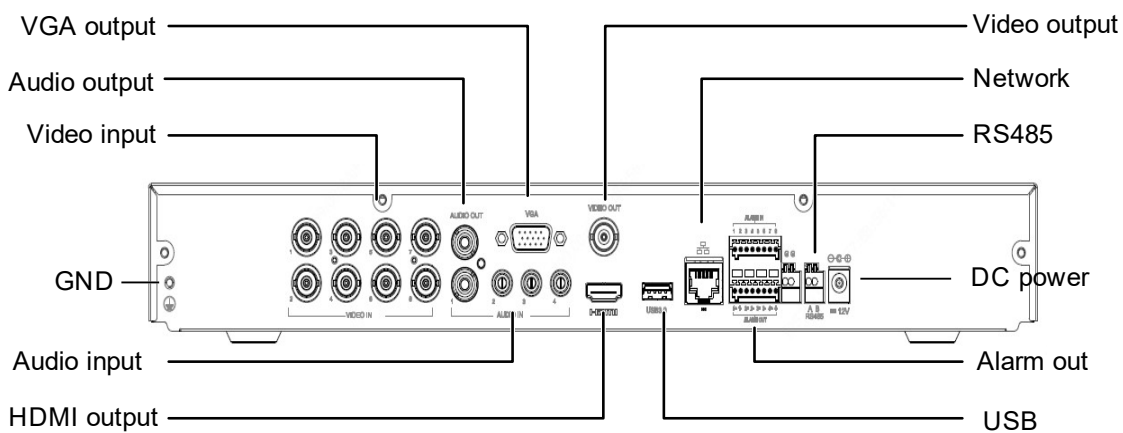
Encoding			
Frame Rate	Main stream: 8MP Lite@8fps(channel1-channel2) 5MPLite@12fps(channel1-channel2) 4MP Lite@15fps 3MP@15fps(channel1 - channel2) 2MP@15fps 720P@30fps Sub stream: D1@30fps(Max)	Main stream: 8MP@8fps 5MP@12fps 4MP@15fps 3MP@18fps 2MP@25fps 720P@30fps Sub stream: D1@30fps(Max)	Main stream: 8MP Lite@8fps (channel1-channel4) 5MP Lite@12fps(channel1-channel4) 4MP Lite@15fps 3MP@15fps(channel1 - channel4) 2MP@15fps 720P@30fps Sub stream: D1@30fps(Max)
Hard Disk			
SATA	2 SATA interface		
Capacity	Up to 10TB for each HDD		
External Interface			
Network Interface	1RJ45 10M/100M self-adaptive Ethernet Interfaces	1RJ45 10M/100M/1000M self-adaptive Ethernet Interfaces	
USB Interface	Rear panel: 1 x USB2.0,Front panel: 1xUSB2.0	Rear panel: 1 x USB3.0,Front panel: 1xUSB2.0	
Seral Interface	1 x RS485		
Alarm In	-	8	-
Alarm Out	-	4	-
General			
Power Supply	12V DC Power Consumption: ≤ 8 W(without HDD)	12V DC Power Consumption: ≤ 12 W(without HDD)	
Working Environment	-10°C ~ + 55°C (+14°F ~ +131°F), Humidity ≤ 90% RH(non-condensing)		
Dimensions(W×D×H)	380mm ×315mm× 49mm (15" × 12.4"×1.9")		
Weight (without HDD)	≤1.9 Kg (4.19lb)		

Dimensions



Rear Panel

Take NVR302-08U for example



Zhejiang Uniview Technologies Co.,Ltd.

Building No.10, Wanlun Science Park, Jiangling Road 88, Binjiang District, Hangzhou, Zhejiang, China

Email: overseasbusiness@uniview.com; globalsupport@uniview.com

<http://www.uniview.com>

©2018 Zhejiang Uniview Technologies Co.,Ltd. All rights reserved.

*Product specifications and availability are subject to change without notice.