

# Secukey SK5-X

Keypad & RFID Card – Access Controller

EM + HID + Mifare



*Powerful!!!*



## Features:

- Waterproof, conforms to IP66
- One relay, 600 users
- PIN length: 4~6 digits
- Card type: 125KHz EM card, 125KHz HID card, and 13.56Mhz Mifare Card
- Wiegand 26~37 bits input & output

- Can be used as Wiegand reader with LED & Buzzer output
- Pulse mode, toggle mode
- 2 devices can be interlocked for 2 doors
- 12~28V AC/ DC
- Working mode: Standalone; Reader; Controller

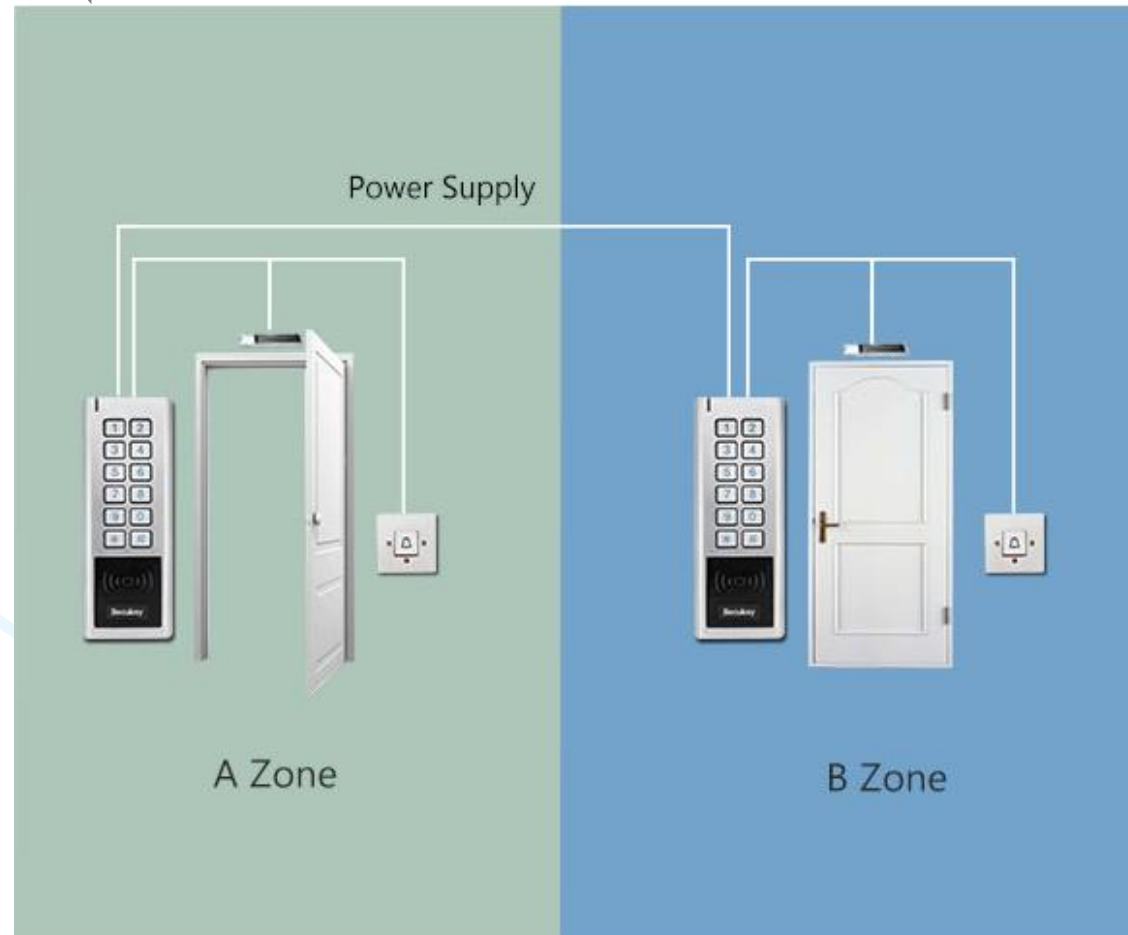
## Specification:

<b>User Capacity</b> Common Users Panic Users	<b>600</b> 598 2
<b>Operating Voltage</b> Idle Current Active Current	<b>12~28V AC/DC</b> < 65mA < 100MA
<b>Proximity Card Reader</b> Radio Technology Read Range	<b>HID &amp; EM &amp; Mifare</b> 125KHz &13.56Mhz 2~6 cm
<b>Wiring Connections</b>	Relay output, exit button, alarm, door contact, Wiegand input, Wiegand output
<b>Relay</b> Adjustable Relay Output Time Lock Output Load	<b>One (NO, NC, Common)</b> 0~99 Seconds (5 seconds default) 2 Amp Maximum
<b>Wiegand Interface</b> Wiegand Input Wiegand Output PIN Output	<b>Wiegand 26~37bits</b> 26~37bits 26~37bits 4 bits, 8 bits(ASCII), 10 digits Virtual Number
<b>Environment</b> Operating Temperature Operating Humidity	<b>Meets IP66</b> -40 °C ~ 60 °C (-40 °F ~ 140 °F) 0%RH ~ 98%RH
<b>Physical</b> Dimensions Unit Weight Shipping Weight	<b>Zinc Alloy</b> 14.8L x 5.6W x 2.25H (cm) 285g 350g

# Interlock

## Unique Features

The doors can be interlocked so that when door 1 is open, door 2 cannot be opened, and vice versa.

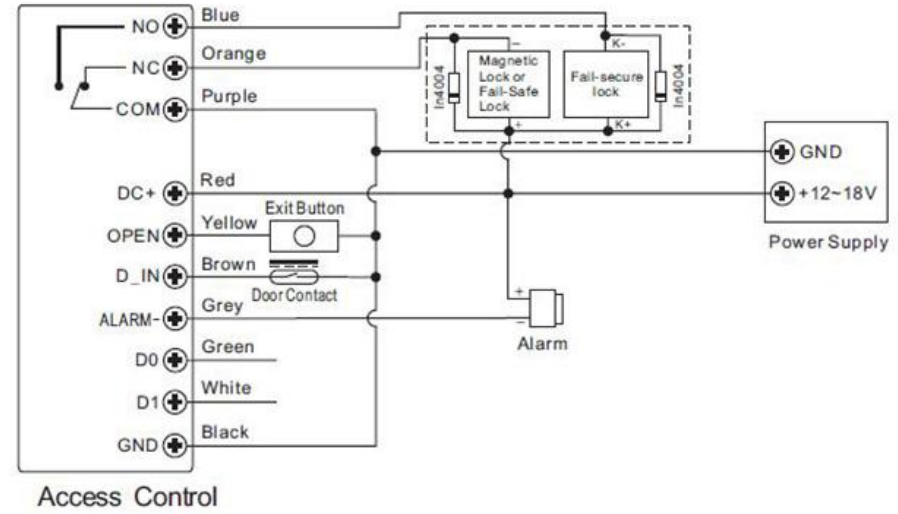


# Secukey

## Connection Diagram-1



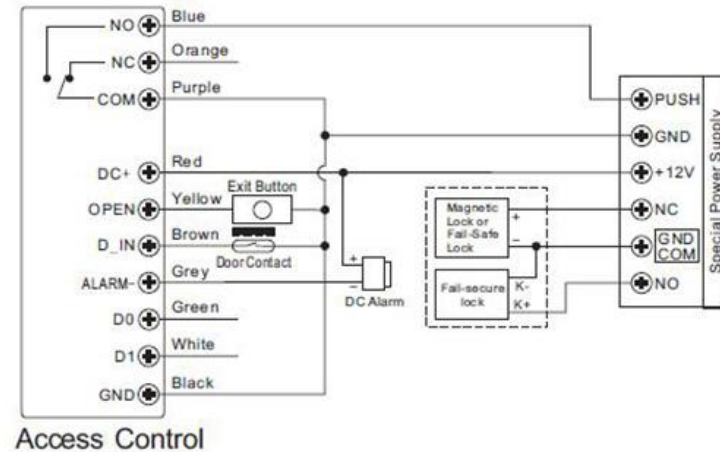
### Connection Diagram



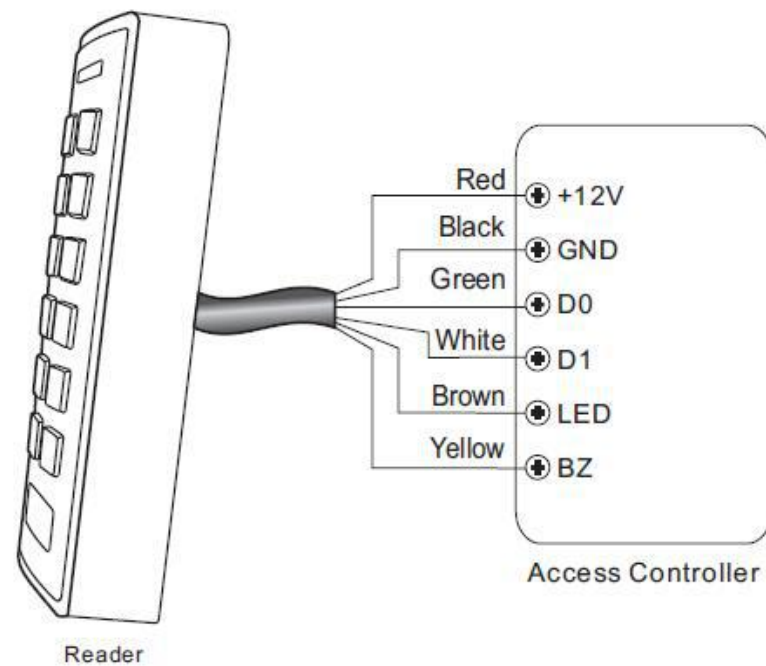
### Attention:

Install a 1N4004 or equivalent diode is needed when use a common power supply, or the keypad might be damaged. (1N4004 is included in the packing)

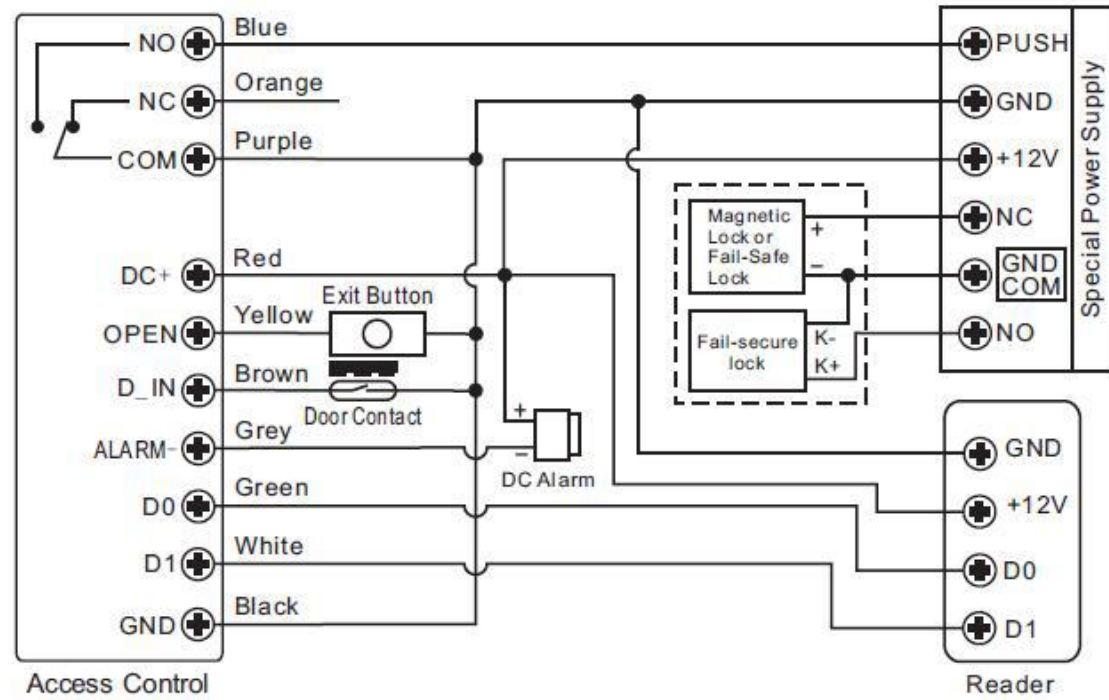
### Access Control Power Supply:



# Connection Diagram-2



# Connection Diagram-3




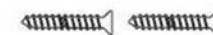
# Packaging info



<b>Packing</b>	<b>44pcs/carton</b>
<b>Weight</b>	<b>22kg</b>

## Accessories

 Diode 1N4004 (For relay circuit protection)

 Self Tapping Screws

 Wall Anchors

 Screw Driver

  Master Card

