

K11

Waterproof Standalone Keypad & RFID Access Control



K12

Waterproof Standalone Keypad & RFID Access Control



Features:

- Waterproof, conforms to IP66
- Metal case, backlit keypad
- One relay, 1000 users
- Support 10 visitor users
- 3 access modes: Card, PIN, Card + PIN

- Card type: 125KHz EM card
- PIN length: 4~6 digits
- Anti-tamper alarm
- Working Temperature: -40°C ~ 60°C

Specifications:

User Capacity	1000 Cards/PINS 990 Normal Users 10 Visitor Users
Operating Voltage Idle Current Active Current	9~18V DC 50mA 80mA
Keypad	12 Key (2*6)
Proximity Card Reader Radio Technology Read Range	EM 125 KHz Industry Standard Proximity Card 2-6 cm
Wiring Connections	Relay Output, Exit Button
Relay Adjustable Relay Output Time Lock Output Load	One (NO, NC, Common) 0-99 Seconds (5 seconds default) 3 Amp Maximum
Environment Operating Temperature Operating Humidity	Outdoor -40°C ~ 60 °C 20%RH-85%RH
Physical Surface Finish Dimensions Unit Weight Shipping Weight	Zinc-Alloy Enclosure Powder Coat K11: 117.5L x 66W x 19H (mm) K12: 145L x 52W x 21H (mm) K11: 420g, K12: 430g K11: 500g, K12: 510g



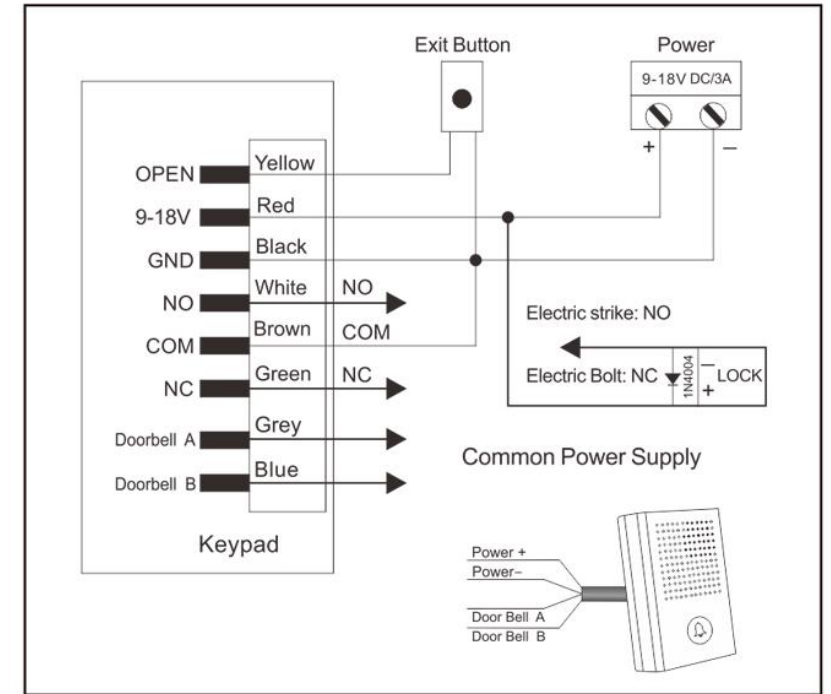
Selling Points

- > IP66 waterproof
- > Support 10 bypass users
- > Support 2pcs remote controls (optional)
- > -40°C working temperature

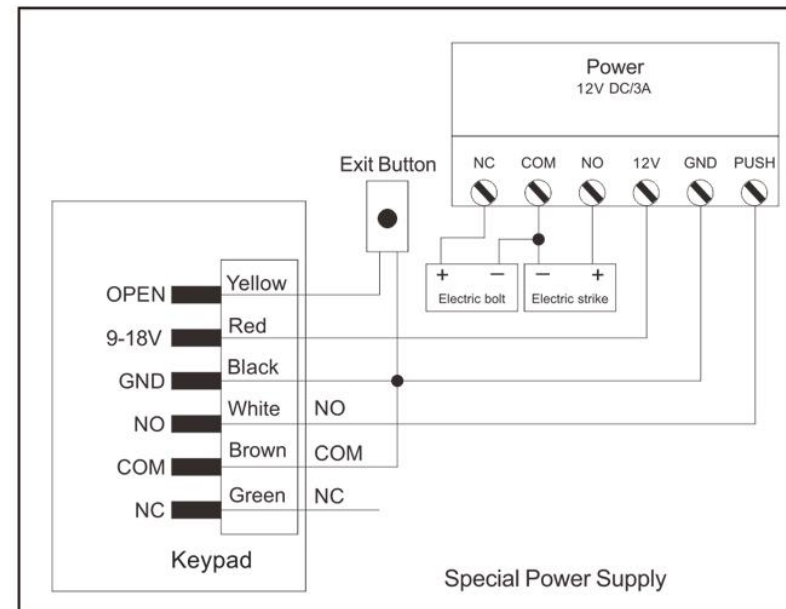
Connection Diagram



Common Power Supply



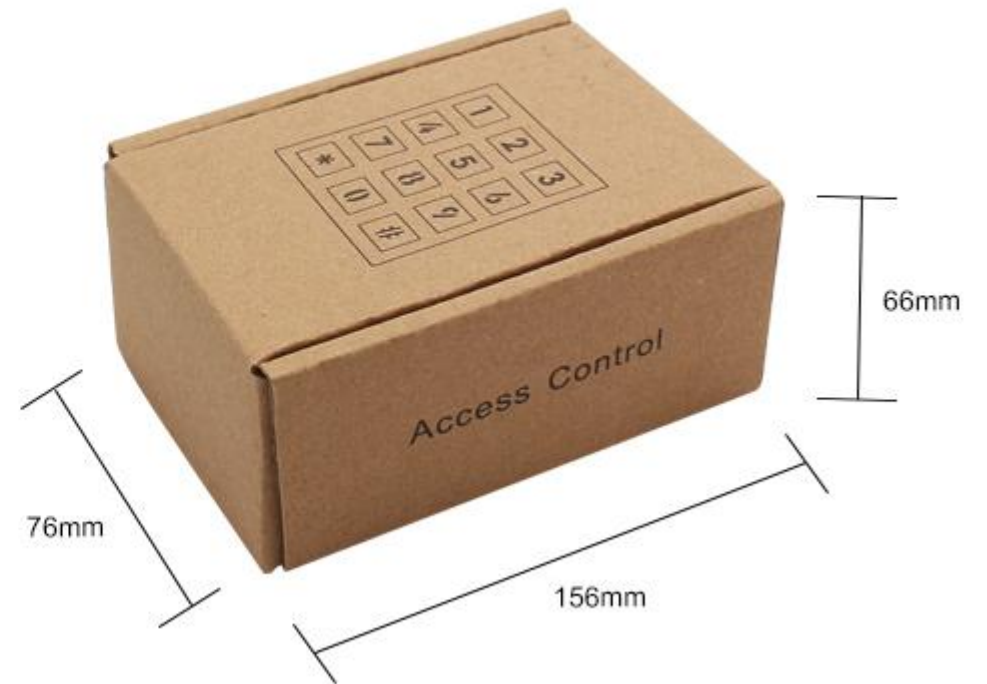
Special Power Supply



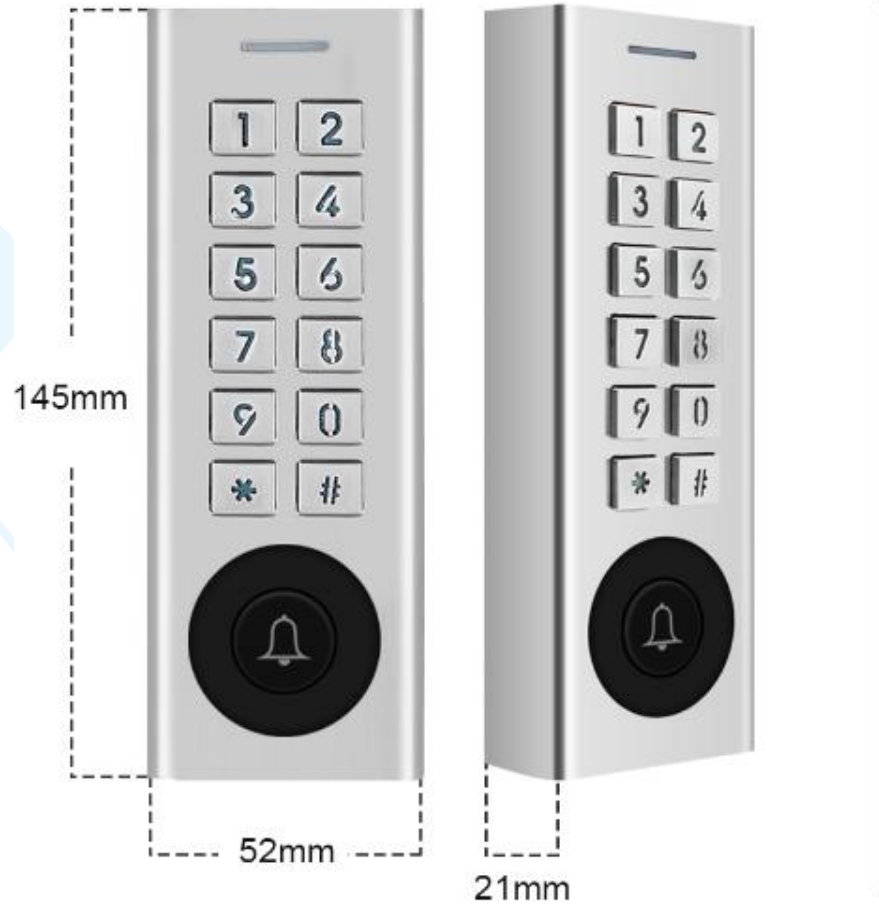
Gift Box Size



Gift Box Size



Gift Box Size



Gift Box Size

