

# EM3500BLK SERIES

Single Door Monitored

## EM3500BLK DESCRIPTION

The **LOX EM3500BLK** Black Anodised Series product line is a comprehensive Electro Magnetic Lock range with up to **280kg** holding force. It is one of the most reliable and most successful Electro Magnetic Locks in the Australian market.

## THE MONITORED MAGNETIC LOCKS HAVE:

- A built-in Hall Effect Sensor for monitoring the lock/unlock status of the locking device (LSS – Lock Status Sensor)
- A built-in reed switch contact for monitoring the open/closed status of the door (DSS – Door Status Sensor)
- Highly visible red/green LED Status Light
- Anti-Tamper-Fixing-Plate (monitored version only) to avoid hostile attacks targeted on the dome-nut-fixing bolt of the Armature Plate



**EM3500M-BLK**  
MONITORED SINGLE ELECTRO MAGNETIC LOCK


### LED STATUS LIGHT



LOCKED

UNLOCKED

## SPECIFICATIONS

<b>EM3500M-BLK</b>	SINGLE ELECTRO MAGNETIC LOCK MONITORED
<b>HOLDING STRENGTH</b>	UP TO 280KG, TESTED TO 1 MILLION CYCLES
<b>VOLTAGE/CURRENT</b>	DUAL VOLTAGE 12/24VDC 12VDC = 530mA 24VDC = 260mA
<b>APPROVALS</b>	UP TO 4 HOUR FIRE RATED TO A.S STANDARD, CE & C-TICK
<b>LSS MONITORING</b>	LSS LOCK STATUS SENSOR (HALL EFFECT) 
<b>DSS MONITORING</b>	DOOR STATUS SENSOR (REED SWITCH)
<b>LED LIGHT STATUS</b>	LED LIGHT STATUS INDICATES LOCKED OR UNLOCKED STATUS
<b>ENVIRONMENTAL</b>	OPERATIONAL TEMPERATURE RANGE - 20 DEG. C TO 60 DEG. C.

**LOX**  
LOCKING

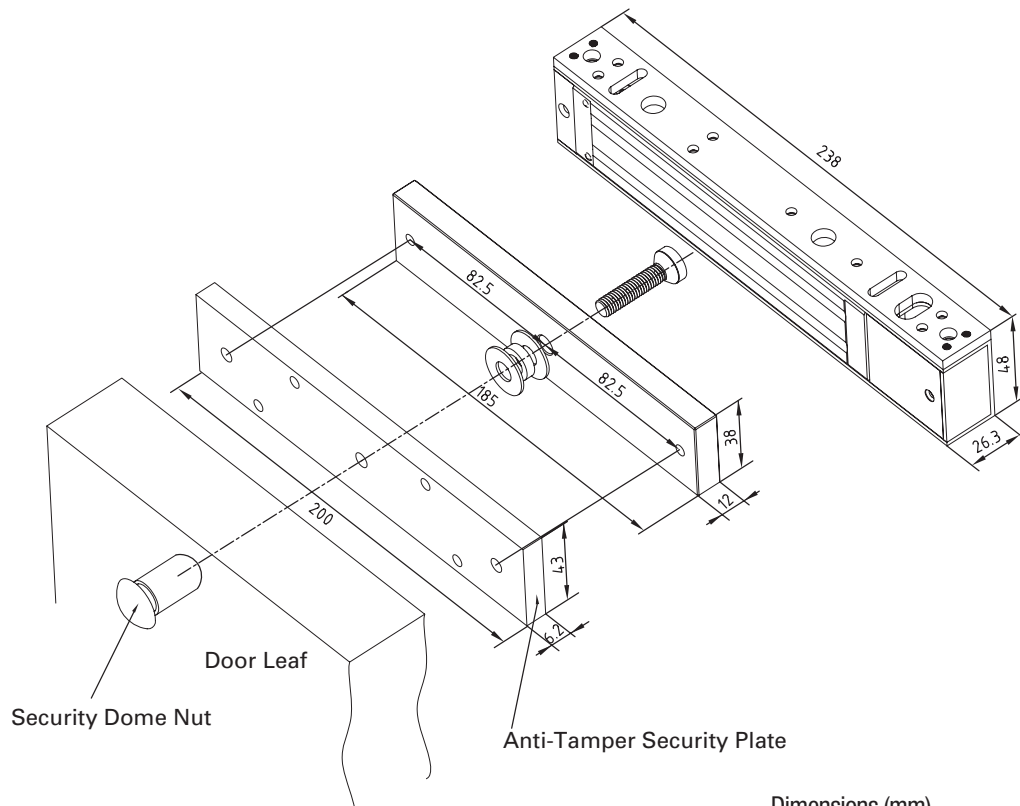
LOX LOCKING PTY LTD | [www.loxlocking.com.au](http://www.loxlocking.com.au)

**LOX**  
BLK

# EM3500BLK SERIES

Single Door Monitored

## PRODUCT DIMENSIONS



Dimensions (mm)

## EM3500BLK FACTS

- Black Anodised Body
- Door and Lock Status monitoring Sensor (DSS & LSS with monitored models)
- Built-in varistor (MOV) surge protection
- CE/RCM Approvals
- Anti Tamper Mounting Plate
- High visibility red/green Status Light Panel
- Lifetime warranty
- Up to 4 hour fire rated to AS Standard
- No residual magnetism

## ACCESSORIES



### EM3500-MP-BLK

LOX MOUNTING PLATE FOR EM3500BLK



### AMGB4-12-BLK

LOX U SHAPE ARMATURE HOLDER FOR GLASS DOORS EM3500BLK & EM3500DBLK



### AMZB4-LP-BLK

LOX L & Z BRACKET FOR INWARDS OPENING DOORS EM3500BLK



### AMAB4-BLK

LOX ARMATURE HOLDER AND DRESS PLATE FOR GLASS DOORS EM3500BLK



### AMFB4-BLK

LOX L-BRACKET FOR EM3500BLK SERIES

### AMLB4-BLK

LOX ADJUSTABLE L-BRACKET FOR EM3500BLK SERIES

**LOX**  
LOCKING

LOX LOCKING PTY LTD | [www.loxlocking.com.au](http://www.loxlocking.com.au)

**LOX**  
BLK