

**FOR INWARD OPENING DOORS WITH TIMBER JAMB**  
ALSO SUITABLE FOR MODEL 002  
**FOLLOW INSTRUCTIONS CAREFULLY**

**LOCK OPERATION**

- DEADLOCK** : When locked **LOCKALERT®** shows red.  
: When unlocked **LOCKALERT®** shows green.
- KEY OUTSIDE** : Retracts latch bolt at all times.
- KEY INSIDE** : (001 only) Locks or unlocks turn knob by turning key one full turn.
- TURN KNOB** : (001 only) Retracts latch bolt when unlocked.
- TURN KNOB** : (002 only) Retracts latch bolt at all times.
- SAFETYRELEASE™** : Automatically unlocks the internal knob upon entry.

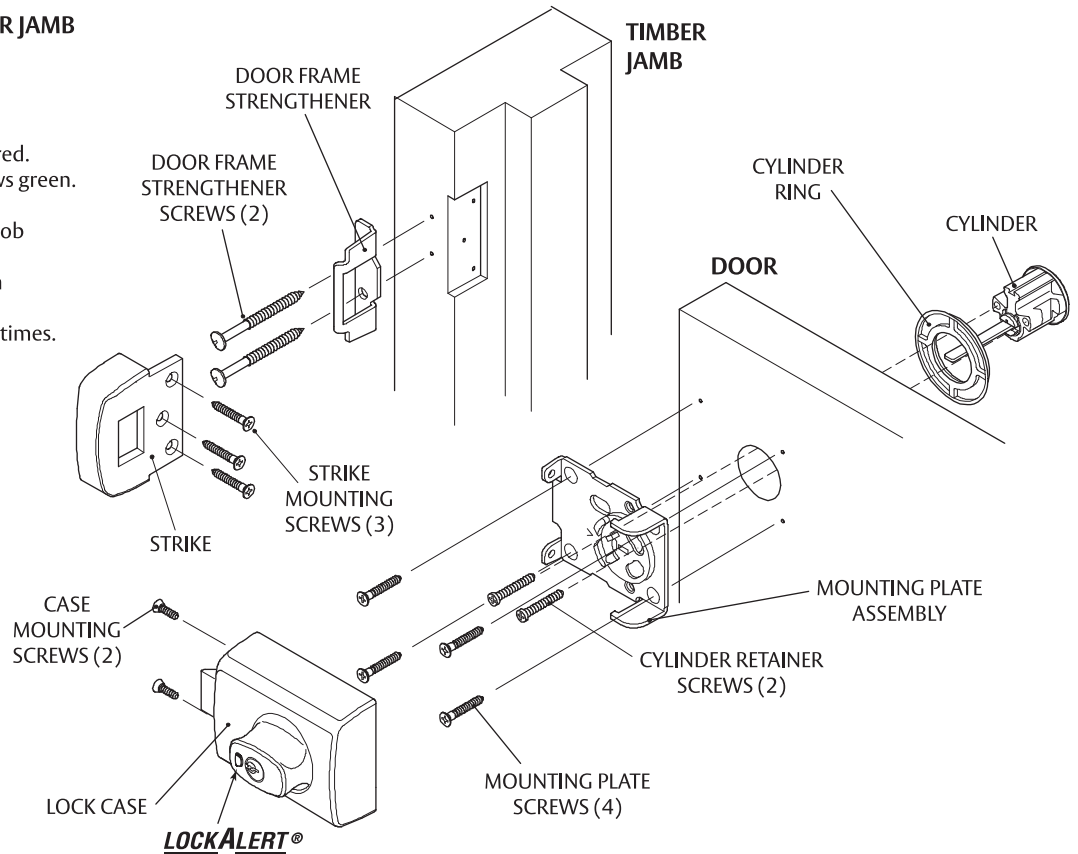
**BOLT HOLD BACK WITHOUT KEY:**  
To engage: Rotate turn knob fully clockwise.  
To release: Rotate turn knob anti-clockwise.

**BOLT HOLD BACK WITH KEY:**  
(Prevents unauthorised "hold back" release)  
To engage: Rotate turn knob fully clockwise and lock in rotated position by turning key in knob one full turn anti-clockwise.  
To release: Unlock turn knob by turning key one full turn clockwise and rotate turn knob anti-clockwise.

**DOOR THICKNESS** : 30mm to 45mm

**OPTIONAL:**

- 31mm Retrofit Strike 001-3653
- 3mm Packer Plate 001-3254BLK



**1 Door preparation**

- Select CLOCKWISE or ANTI-CLOCKWISE side of template to suit door opening direction.
- Position template and prepare door as specified on template.

**DRILL CYLINDER HOLE FROM BOTH SIDES OF DOOR TO PREVENT SPLINTERING OF DOOR FACE.**

**2 Lock preparation**

- Rotate turn knob fully clockwise to HOLD BACK position.
- Remove two case mounting screws from lock case.
- Take mounting plate out of lock case.

**P.T.O.**  
TEAR OFF

**Anti-Clockwise Opening Door Template**  
USE OTHER SIDE OF TEMPLATE FOR CLOCKWISE DOOR

DRILL 4 HOLES  
Ø3mm (1/8") x 25mm (1") Deep

DRILL Ø32mm (1 1/4") CYLINDER HOLE

60mm (2 3/8") BACKSET

DRILL CYLINDER HOLE FROM BOTH SIDES OF DOOR TO PREVENT SPLINTERING OF DOOR FACE

THIS WAY UP

INSIDE

- Select CLOCKWISE or ANTI-CLOCKWISE template to suit door opening direction.
- Place template on inside door face at required height from floor with **LINE A** positioned on door edge.
- Mark and drill ALL holes as specified on template.

**Door Frame Strengthener Template**

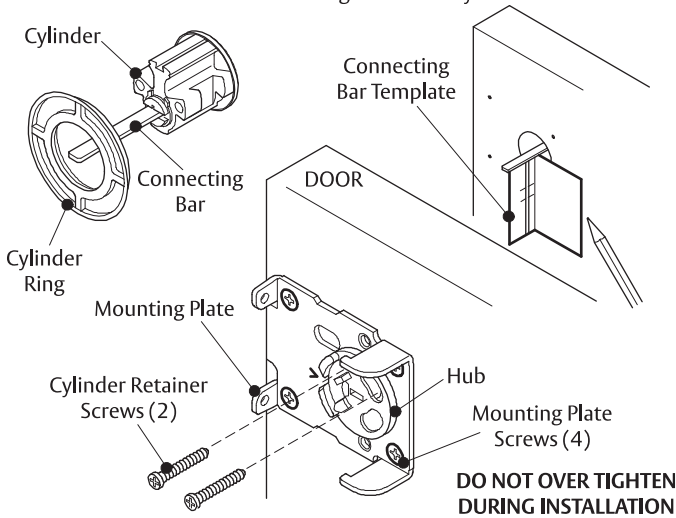
FOLD LINE

DRILL 2 HOLES  
Ø5mm (3/16") x 63mm (2 1/2") Deep

TEAR OFF

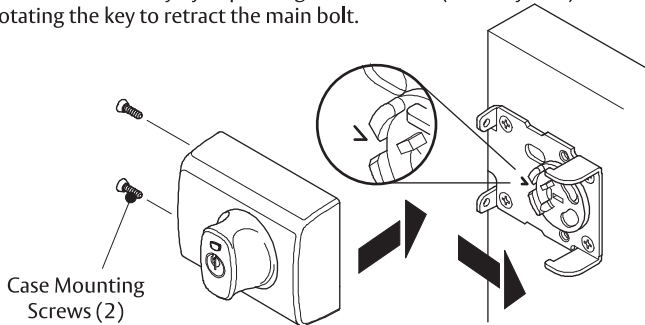
### 3 Install cylinder and mounting plate

1. Insert cylinder into cylinder ring and place through hole from OUTSIDE of door.
2. Fold and position CONNECTING BAR TEMPLATE as shown. Mark connecting bar between the 2 lines. Remove cylinder assembly and cut connecting bar to length. Connecting bar must NOT protrude past hub face or guarantee will be void.
3. Fix MOUNTING PLATE to door with four woodscrews supplied.
4. Align notch on hub with 'V' on mounting plate.
5. Assemble cylinder assembly in door, ensure connecting bar engages in hub slot.
6. Place rear retainer screw through slot in hub and secure cylinder assembly to door.
7. Rotate hub 90° by inserting key in cylinder and secure second retainer screw. Ensure both screws are tightened firmly.



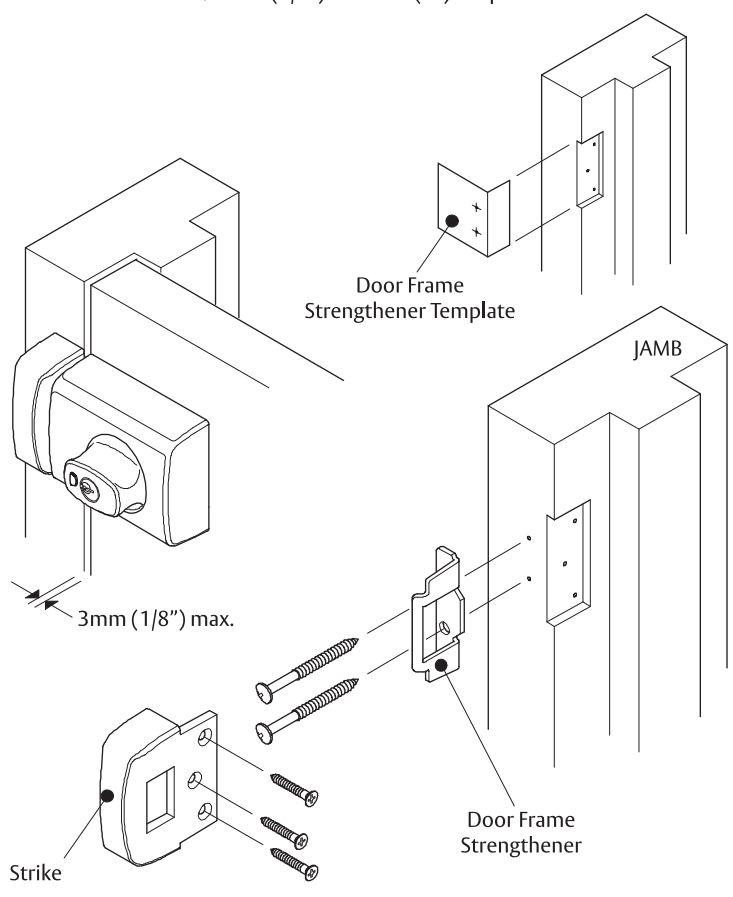
### 4 Install case

1. Rotate turnknob fully clockwise to the HOLD BACK position.
2. Ensure notch on hub is aligned with 'V' on mounting plate. With key removed from external cylinder, fit case body to mounting plate as shown.
3. Lightly tap both front corners of case to ensure it is fully home on the mounting plate.
4. Secure to mounting plate using the two case mounting screws.
5. Test entire operation of lock BEFORE CLOSING THE DOOR. It is essential to test the outer key by depressing the small bolt (auxiliary bolt) and rotating the key to retract the main bolt.



### 5 Install frame strengthener and strike

1. Position strike on jamb directly opposite the lock case and mark outline of strike flange on jamb edge.
2. Mortise area for flange. Depth of flange mortise determines gap. **Note:** 3mm (1/8") maximum gap between lock and installed strike.
3. Position door frame strengthener template in strike flange mortise as shown below.
4. **WARNING:** Care must be taken when drilling and affixing screws to jamb. Screws must NOT come in contact with electrical wires in jamb. Mark and drill holes as specified on template.
5. Install door frame strengthener and secure using two door frame strengthener screws.
6. Locate strike over door frame strengthener and secure using three strike mounting screws. **Note:** Pre-drill Ø3mm (1/8") x 25mm (1") deep for woodscrews.



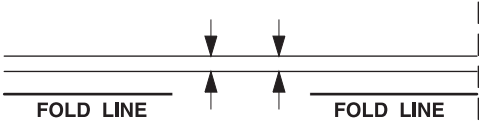
#### Please Note:

This document is provided as a dimensional reference and should not be printed as a drilling template unless it can be correctly scaled to 100% by your printer.



TEAR OFF

MARK BETWEEN THESE TWO LINES



FOLD LINE FOLD LINE

**IMPORTANT**  
Connecting bar must NOT protrude past Hub face

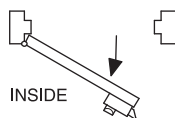
## Connecting Bar Length Template

TEAR OFF

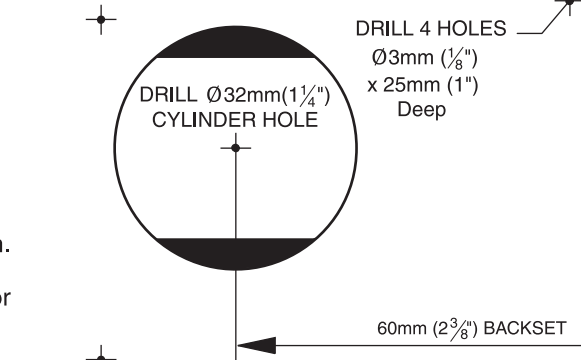


## Clockwise Opening Door Template

USE OTHER SIDE OF TEMPLATE FOR ANTI-CLOCKWISE DOOR



1. Select CLOCKWISE or ANTI-CLOCKWISE template to suit door opening direction.
2. Place template on inside door face at required height from floor with **LINE A** positioned on door edge.
3. Mark and drill ALL holes as specified on template.



**DRILL CYLINDER HOLE FROM BOTH SIDES OF DOOR TO PREVENT SPLINTERING OF DOOR FACE**