



**SECURITY**  
— DESIGN CO —

## ACCESS CONTROL PRODUCTS

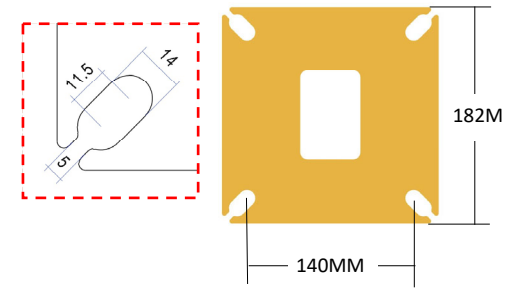
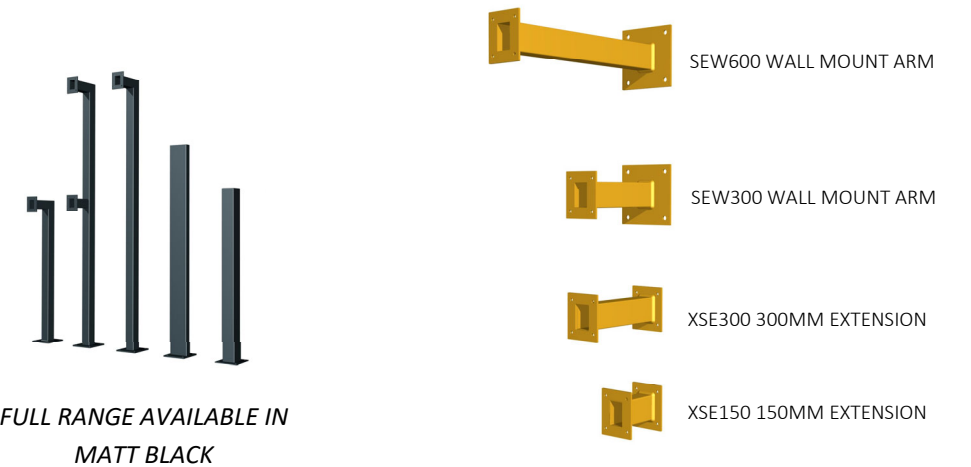


ECP PILLARS BOLLARDS & RAINHOODS 2022 - 2023

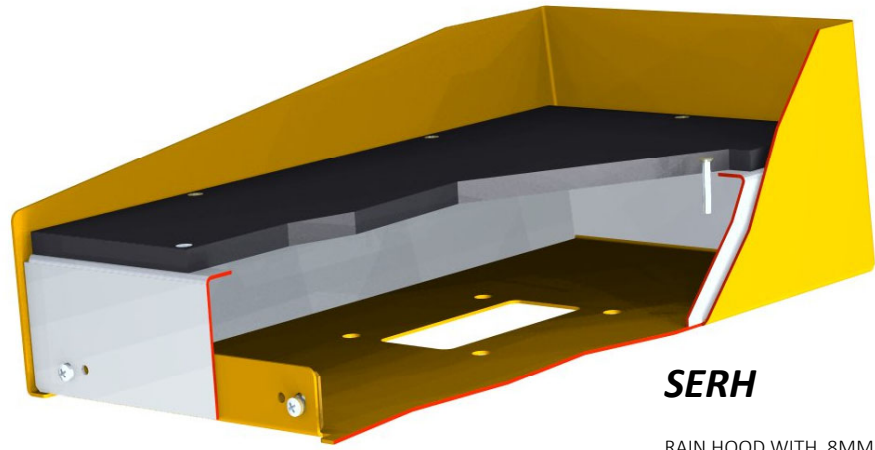


PART	DESCRIPTION	Ex Brisbane
SQ1300	100 X 100 X 1270MM HIGH SQUARE BARRIER BOLLARD DURAGAL POST EPOXY ZINC POWDER COAT PRIMED AND POLYESTER POWDER TOP COAT	
SR1600	150 X 50 X 1600MM HIGH RECTANGULAR BOLLARD DURAGAL POST EPOXY ZINC POWDER COAT PRIMED AND POLYESTER POWDER TOP COAT	
SEQ1	75 X 75 X 1170 MM HIGH SINGLE READER / INTERCOM BOLLARD DURAGAL POST EPOXY ZINC POWDER COAT PRIMED AND POLYESTER POWDER TOP COAT	
SEQ2	75 X 75 X 1170 & 2120 MM HIGH DUAL READER / INTERCOM BOLLARD DURAGAL POST EPOXY ZINC POWDER COAT PRIMED AND POLYESTER POWDER TOP COAT	
SEQTR	75 X 75 X 2120 MM HIGH SINGLE READER SUIT TRUCK / INTERCOM BOLLARD DURAGAL POST EPOXY ZINC PRIMED AND POLYESTER POWDER TOP COAT	
SEW300	300MM PROJECTION WALL MOUNT READER / INTERCOM ARM CABLE PATH THROUGH REAR AND UNDERSIDE OF ARM	
SEW600	600MM PROJECTION WALL MOUNT READER / INTERCOM ARM CABLE PATH THROUGH REAR AND UNDERSIDE OF ARM	
SERS2013	200H X 130W RAIN SHIELD SUIT SEQ, SER & SEW SERIES ARMS AND BOLLARDS 25MM SPACE BEHIND ALUMINIUM MOUNTING PANEL.	
SERSL2013XD	200H X 130W RAIN SHIELD SUIT SEQ, SER & SEW SERIES ARMS AND BOLLARDS 25MM SPACE BEHIND ALUMIC MOUNTING PANEL. AND ADITTIONAL SHIELD PROJECTION	
SERS2013XD	200H X 130W RAIN SHIELD SUIT SEQ, SER & SEW SERIES ARMS AND BOLLARDS 68MM SPACE BEHIND ALUMINIUM MOUNTING PANEL.	
SERH3618	360H X 180W RAIN HOOD 8MM POLYETHELENE BLACK BOARD MOUNTING PANEL 60MM SPACE BEHIND PANEL + 8MM POLYBOARD THICKNESS	
SERSL3618	360H X 180W RAIN HOOD ALUM MOUNTING PANEL 25MM SPACE BEHIND PANEL	
SERS3618	360H X 180W RAIN HOOD ALUM MOUNTING PANEL 60MM SPACE BEHIND PANEL	
SERH3634	360H X 340W RAIN HOOD 8MM POLYETHELENE BLACK BOARD MOUNTING PANEL 60MM SPACE BEHIND PANEL + 8MM POLYBOARD THICKNESS	
SERSL3634	360H X 340W RAIN HOOD ALUM MOUNTING PANEL 25MM SPACE BEHIND PANEL	
SERS3634	360H X 340W RAIN HOOD ALUM MOUNTING PANEL 60MM SPACE BEHIND PANEL	
SERH4718	470H X 180W RAIN HOOD 8MM POLYETHELENE BLACK BOARD MOUNTING PANEL 80MM SPACE BEHIND PANEL + 8MM POLYBOARD THICKNESS	
SERSL4718	470H X 180W RAIN HOOD ALUM MOUNTING PANEL 25MM SPACE BEHIND PANEL	
SERS4718	470H X 180W RAIN HOOD ALUM MOUNTING PANEL 80MM SPACE BEHIND PANEL	
SERH3643	360H X 430W RAIN HOOD 8MM POLYETHELENE BLACK BOARD MOUNTING PANEL 60MM SPACE BEHIND PANEL + 8MM POLYBOARD THICKNESS	
SERS3643	360H X 430W RAIN HOOD ALUM MOUNTING PANEL 60MM SPACE BEHIND PANEL	
SERHGT	463H X 180W R/HOOD SUIT AIPHONE GT-DM & GT-4F SUPPLIED WITH 2 X BLACK POWDER COATED MOUNTING PLATES.	
SERHGTMSS	316 GRADE STAINLESS STEEL SURFACE MOUNT ENCLOSURE SUIT AIPHONE GT DMB N	
XSE150	MOUNT EXTENDER 150MM SUIT SEQ, SER & SEW SERIES ARMS AND BOLLARDS DURAGAL PIPE SECTION EPOXY ZINC POWDER COAT PRIMED AND TOP COATED	
XSE300	MOUNT EXTENDER 300MM SUIT SEQ, SER & SEW SERIES ARMS AND BOLLARDS DURAGAL PIPE SECTION EPOXY ZINC POWDER COAT PRIMED AND TOP COATED	
SEMP2013	200H X 130W MOUNTING PLATE SUIT SEQ, SER & SEW SERIES ARMS AND BOLLARDS	
NOTE	SPECIFY "Y" FOR YELLOW & B FOR BLACK POWDER COAT FINISH IE: SEQ1Y FOR SINGLE YELLOW BOLLARD	

# SEQ & SER SERIES INTERCOM AND READER BOLLARDS & RAINHOODS 2022 - 2023

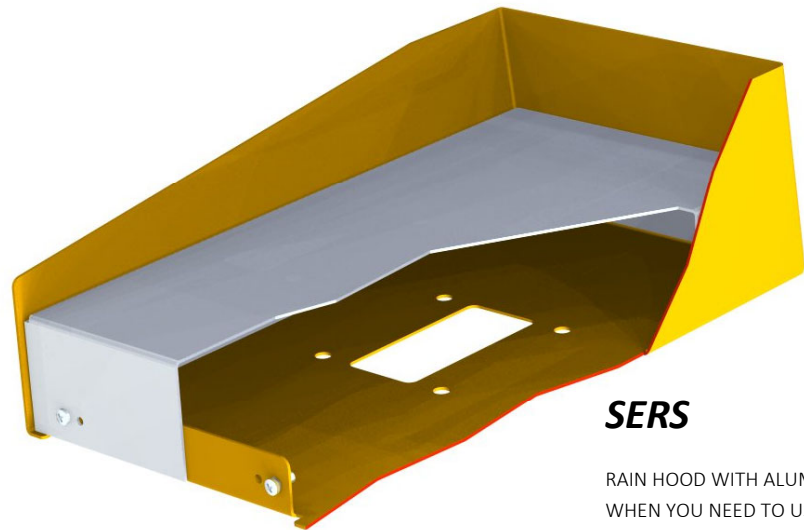


WALL AND BASE PLATE DIMENSIONS FOR:  
 SEQ1 / SEQ2 / SEQTR / SER1/SER2/ SQ1300 / SEW300 /  
 SEW600 182 X 182MM SQUARE (MOUNTING HOLES  
 14MM DIAMETER 140MM BETWEEN CENTERS)  
 OPEN OBOURD MOUNTING HOLE IN BASE PLATE IS  
 BEING PHASED IN DURING 2022



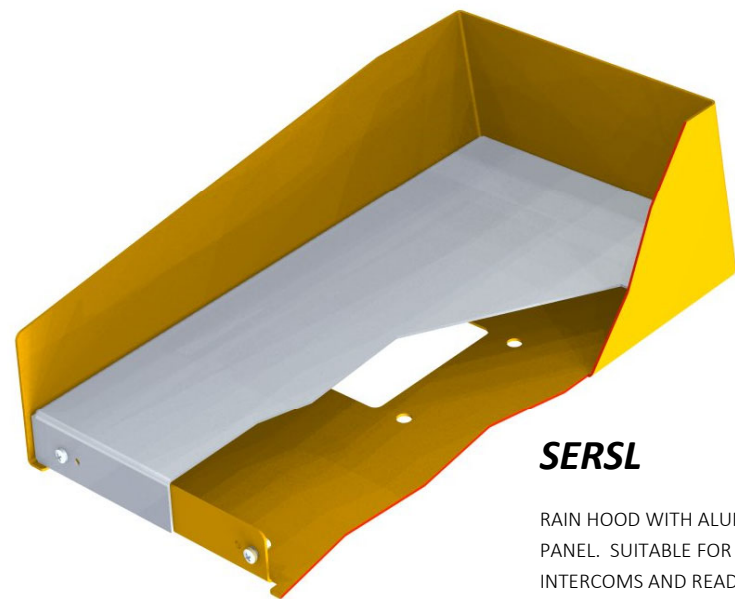
**SERH**

RAIN HOOD WITH 8MM POLYETHELENE MOUNTING PANEL. A NON CONDUCTIVE BACK PLANE EASILY CUT AND DRILLED.



**SERS**

RAIN HOOD WITH ALUMINIUM MOUNTING PANEL. IDEAL WHEN YOU NEED TO USE THE FULL HEIGHT AND WIDTH OF THE PANEL AND NOT HAVE TO CONSIDER THE FRONT PANEL FASTENERS AND FRAME BEHIND.



**SERSL**

RAIN HOOD WITH ALUMINIUM 25MM DEEP MOUNTING PANEL. SUITABLE FOR SURFACE MOUNT KEYPADS INTERCOMS AND READERS.



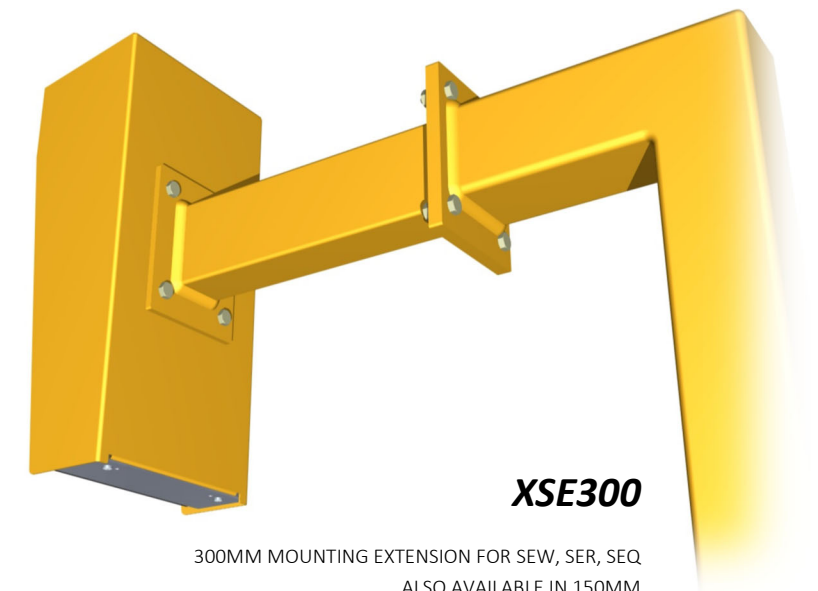
**SERSL4718Y**

ALL SERSL MODELS SUITABLE FOR SURFACE MOUNT KEYPADS INTERCOMS AND READERS. SHOWN WITH 1 X HIKVISION ACW3 & 1 X ACW1



**SEW600**

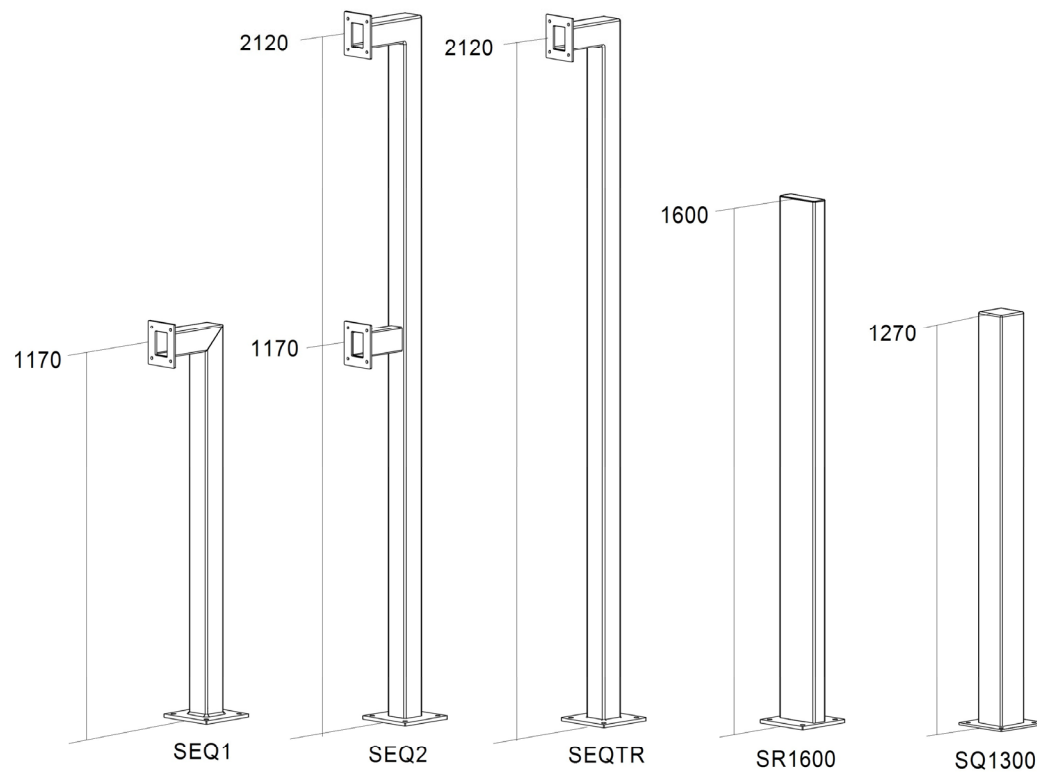
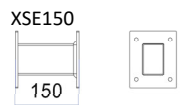
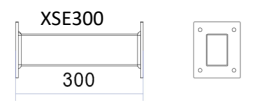
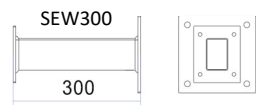
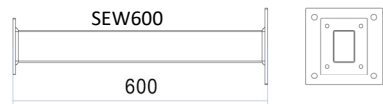
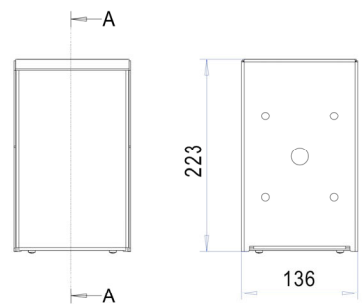
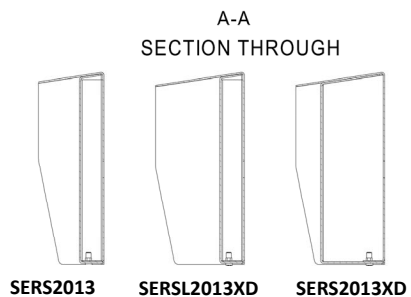
SERH3618Y & SEW600Y 600MM PROJECTION WALL MOUNT. ALSO AVAILABLE IN 300MM



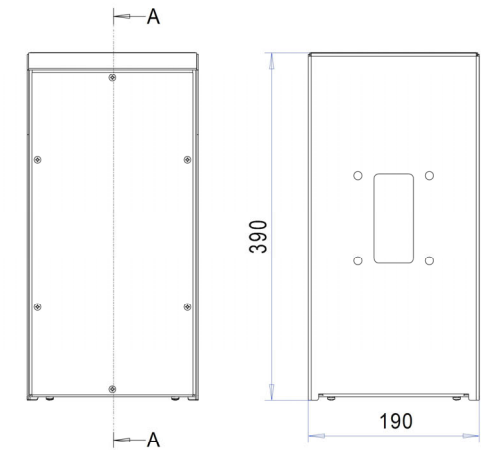
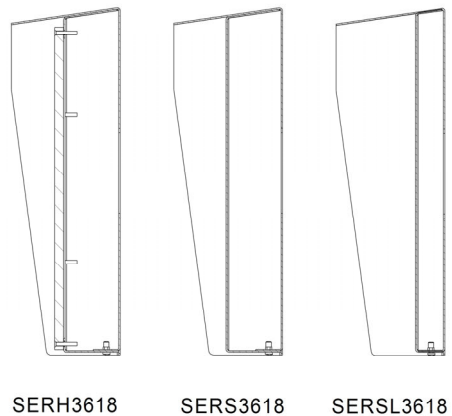
**XSE300**

300MM MOUNTING EXTENSION FOR SEW, SER, SEQ ALSO AVAILABLE IN 150MM

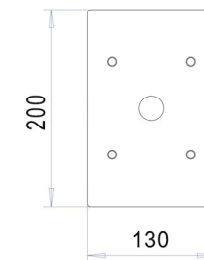
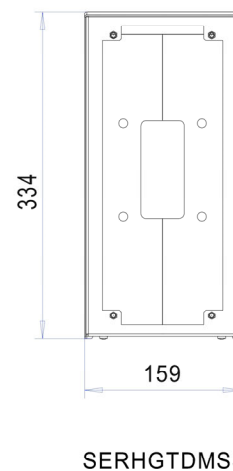
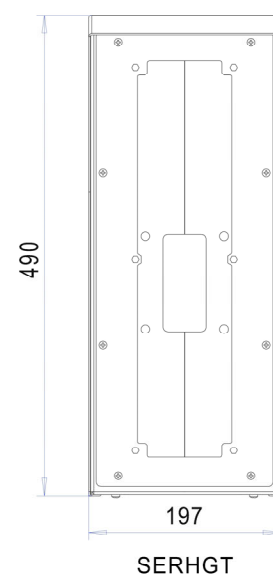
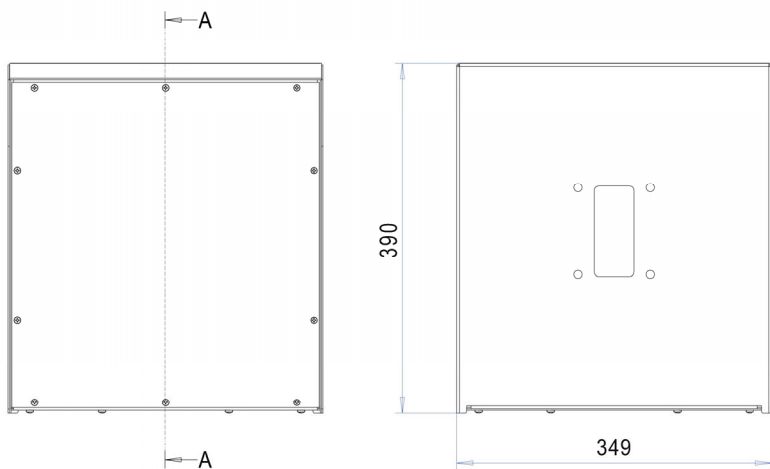
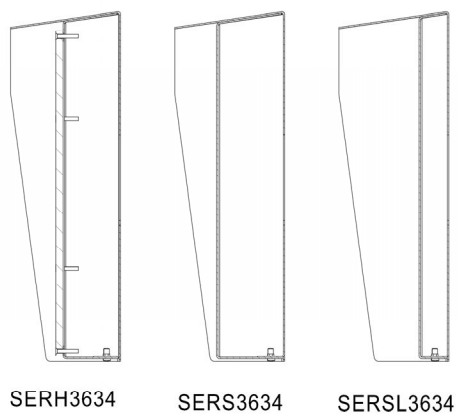
# SEQ & SER SERIES INTERCOM AND READER BOLLARDS & RAINHOODS 2022 - 2023



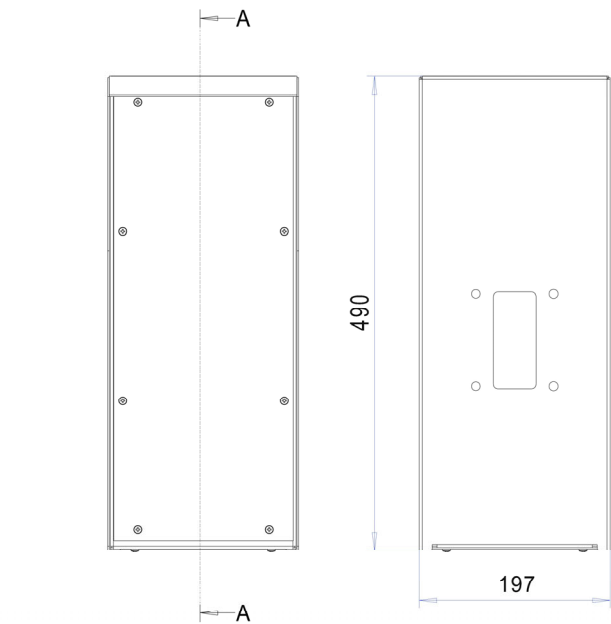
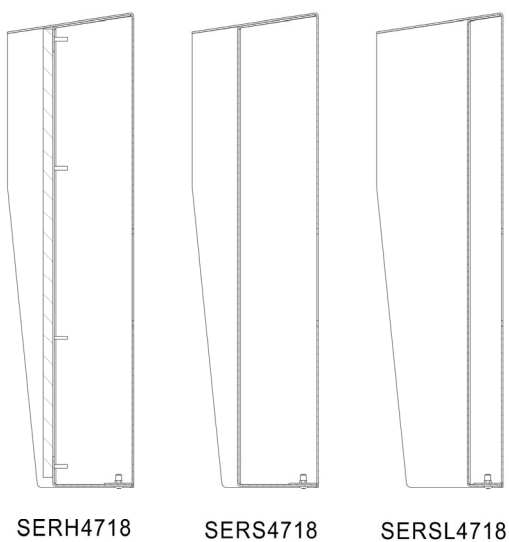
A-A SECTION THROUGH



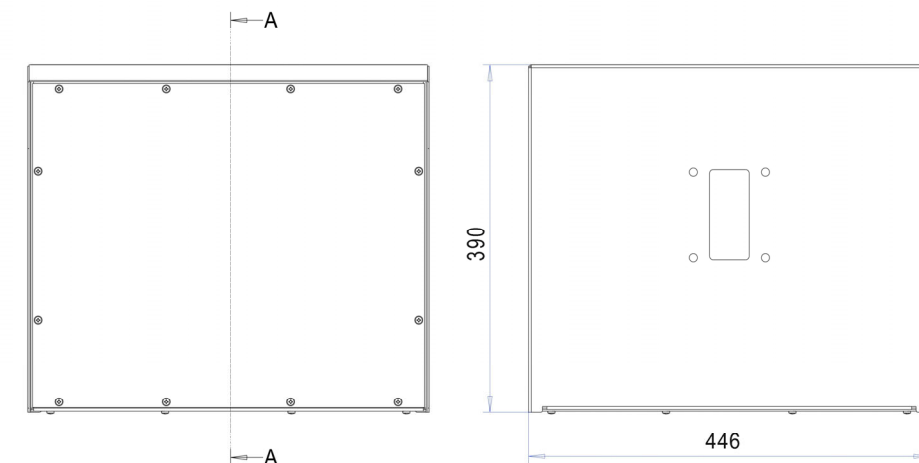
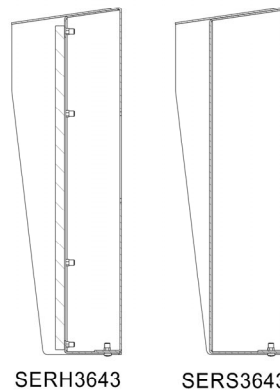
A-A SECTION THROUGH

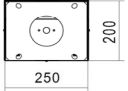
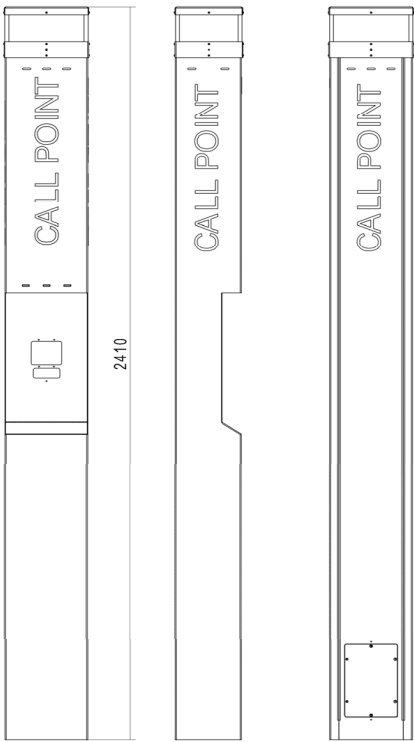
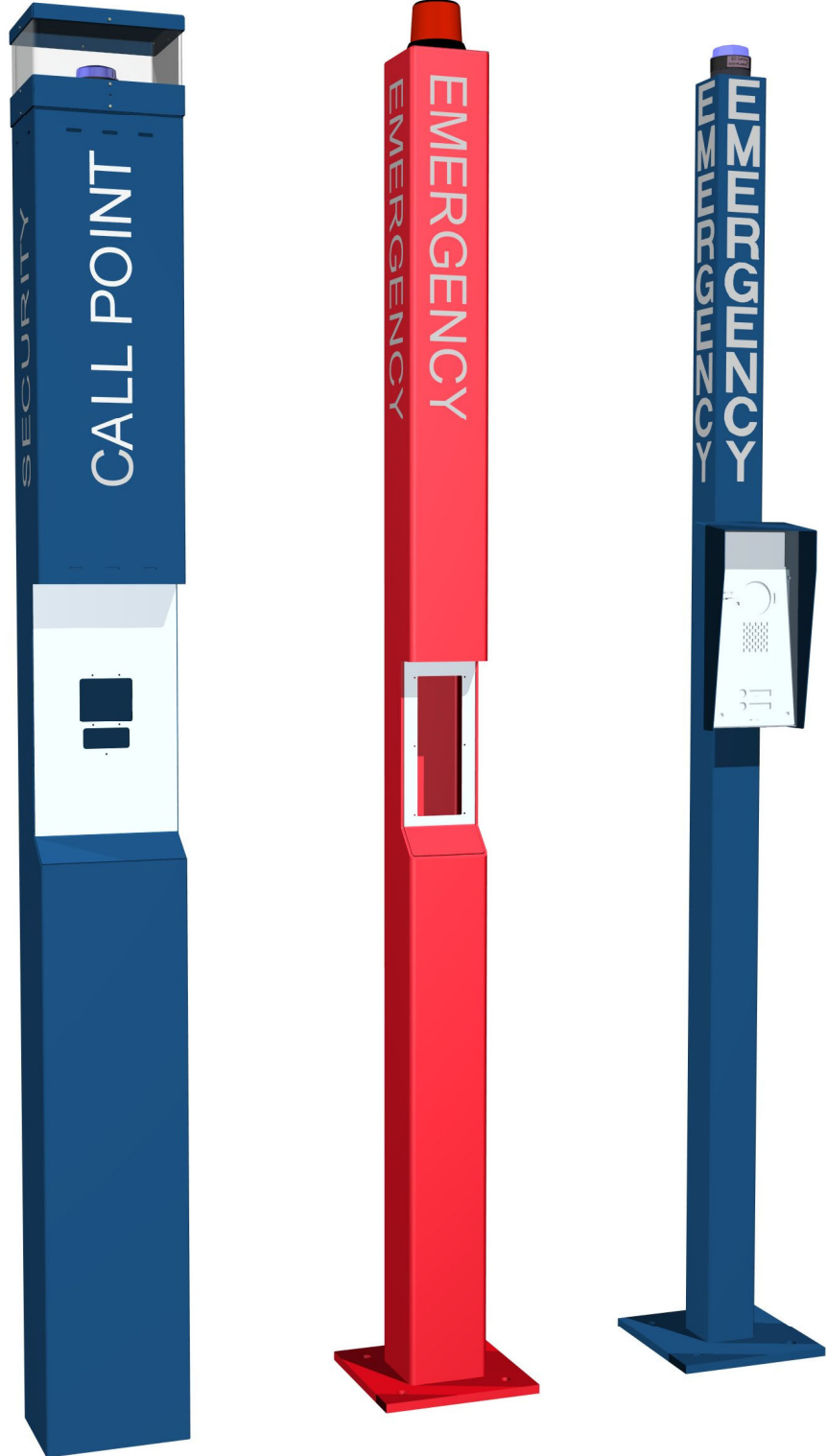


A-A SECTION THROUGH



A-A SECTION THROUGH





**ECR2520**

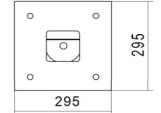
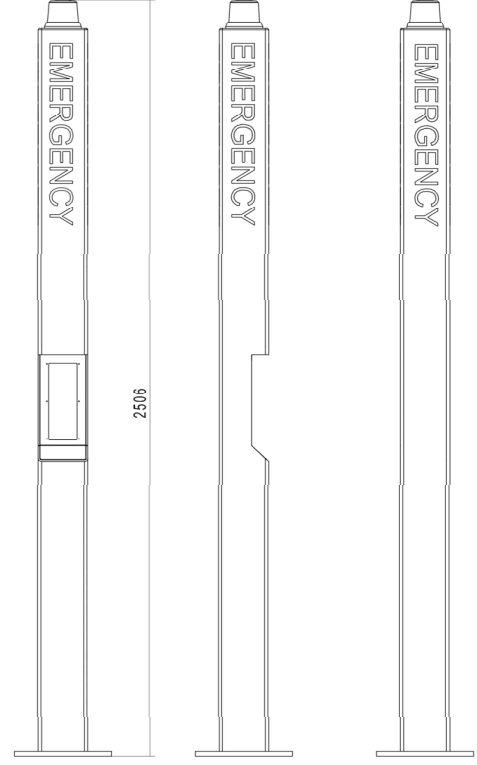
2410MM HIGH 250MM X 200MM  
 INTERNALLY FIXED CALL POINT  
 MANUFACTURED FROM 304 GRADE  
 STAINLESS STEEL. POLYESTER POWDER  
 COATED.

12-24V AC/DC STROBE LIGHTING  
 SURROUNDED BY 6.0MM POLYCARBONATE  
 LENS PLUS LED ILLUMINATION ABOVE  
 INTERCOM/ KEYPAD

SUPPLIED STANDARD WITH CUSTOMISABLE  
 STAINLESS STEEL MOUNTING PANEL

WHEN ORDERING SPECIFY:

1. POWDER COAT COLOUR
2. STROBE COLOUR & VOLTAGE
3. INTERCOM MODEL FOR  
 CUSTOMISING MOUNT PLATE
4. TEXT REQUIRED FOR SIGNAGE



**ECS1515**

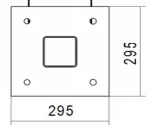
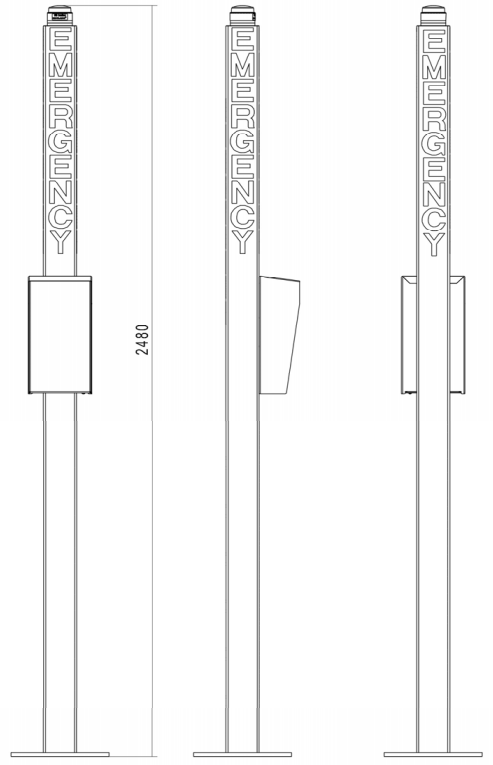
2506 MM HIGH 150 X 150 EXTERNALLY  
 FIXED CALL POINT. MANUFACTURED FROM  
 DURAGAL SHS ZINC POWDER COAT PRIMED  
 AND TOP COATED.

12-24V AC/DC STROBE LIGHTING  
 PLUS LED ILLUMINATION ABOVE  
 INTERCOM/ KEYPAD

SUPPLIED STANDARD WITH CUSTOMISABLE  
 STAINLESS STEEL MOUNTING PANEL

WHEN ORDERING SPECIFY:

1. POWDER COAT COLOUR
2. STROBE COLOUR & VOLTAGE
3. INTERCOM MODEL FOR  
 CUSTOMISING MOUNT PLATE
4. TEXT REQUIRED FOR SIGNAGE



**ECS1010**

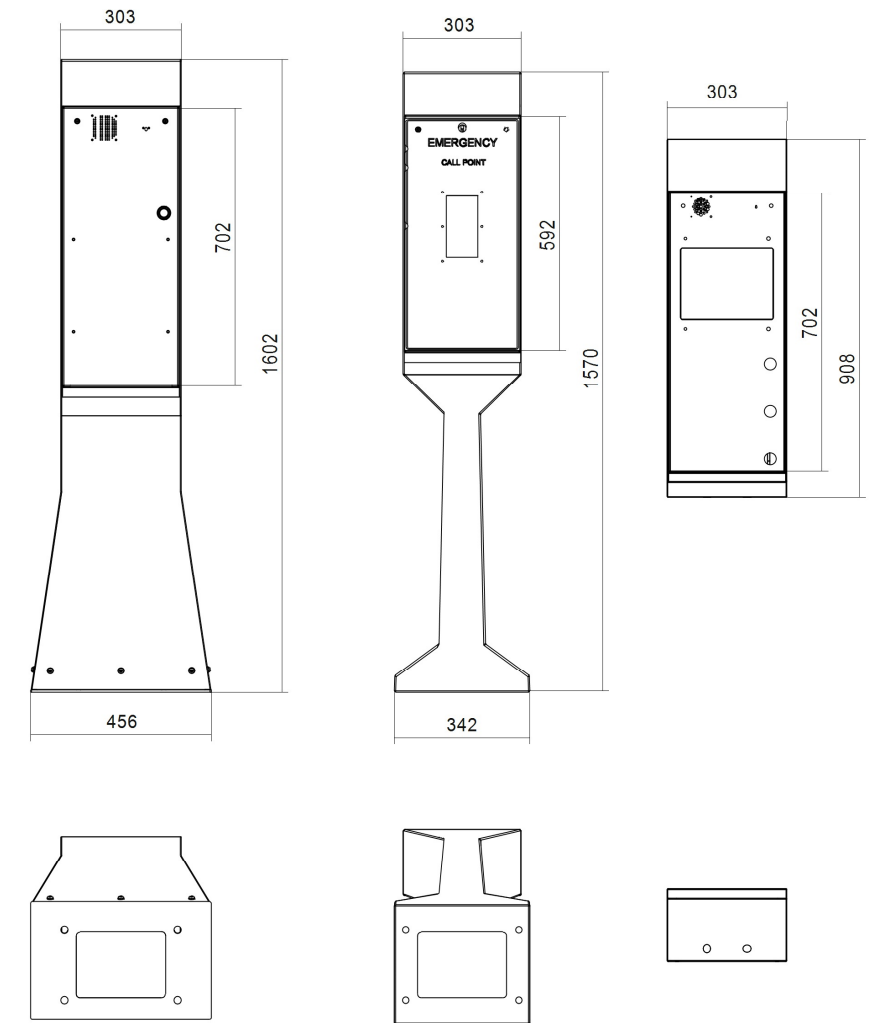
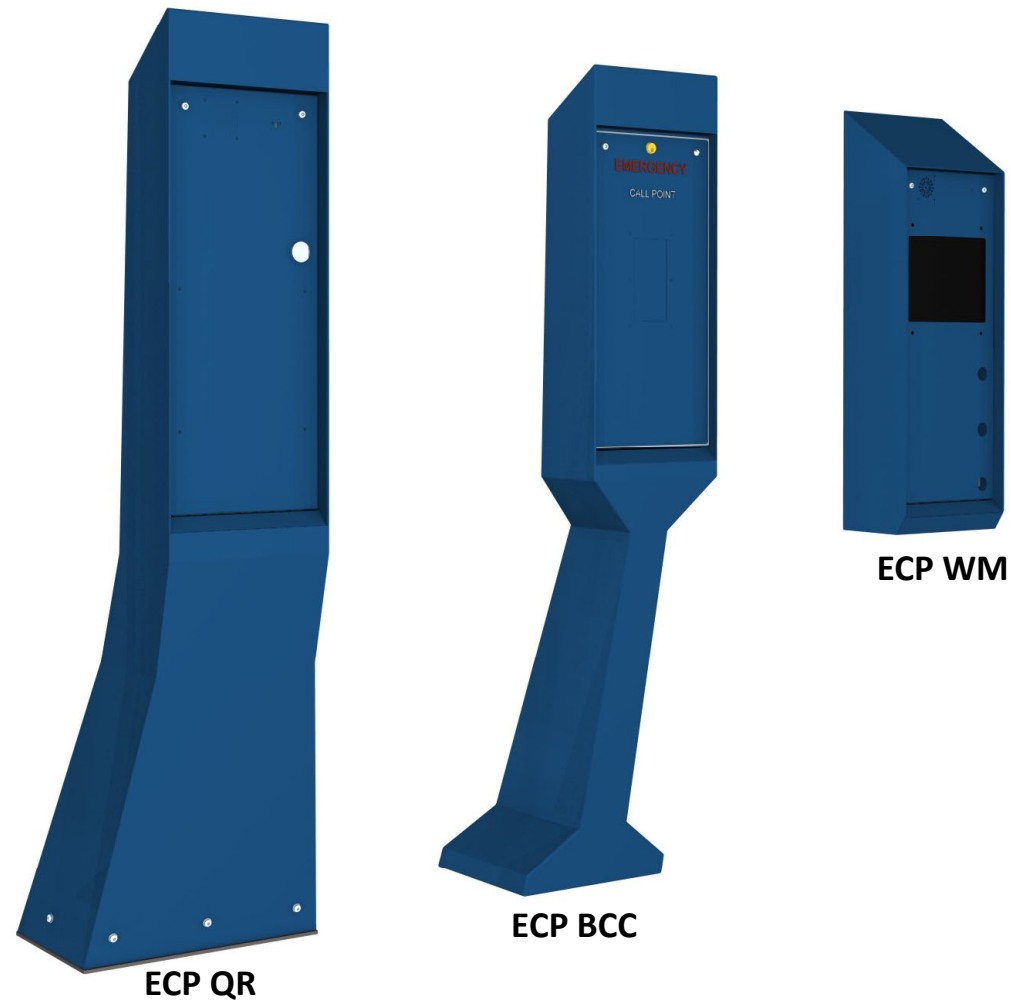
2480 MM HIGH 100 X 100 EXTERNALLY  
 FIXED CALL POINT. MANUFACTURED FROM  
 DURAGAL SHS ZINC POWDER COAT PRIMED  
 AND TOP COATED.

DESIGNED TO MOUNT SECURITY DESIGN  
 SERH/SERS & SERSL RAIN HOODS.

12-24V AC/DC STROBE LIGHTING  
 SUPPLIED STANDARD WITH CUSTOMISABLE  
 MOUNTING PANEL

WHEN ORDERING SPECIFY:

1. POWDER COAT COLOUR
2. STROBE COLOUR & VOLTAGE
3. RAIN HOOD MODEL AND INTERCOM  
 DETAILS FOR CUSTOMISING MOUNT  
 PLATE
4. TEXT REQUIRED FOR SIGNAGE



**ECP PEDESTAL AND WALL MOUNT**

MANUFACTURED FROM 304 GRADE STAINLESS STEEL WITH POLYESTER POWDER COAT FINISH.

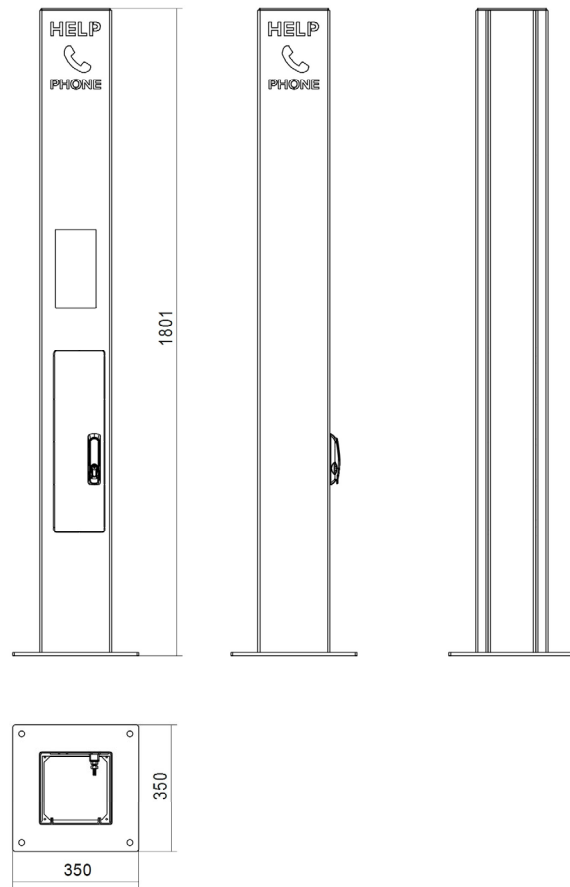
HIINGE DOWN FRONT PANEL IS RECESS MOUNTED LEAVING NO PRY BAR GAPS FOR VANDALS

STANDARD INCLUSIONS ARE CONCELED HINGES, AND DUAL GAS STRUTS.

**OPTIONS**

1. ANTI GRAFITTI FINISH
2. CUSTOMISED INTERNAL GEAR TRAYS
3. MASTER KEY LOCKING.
4. VINYL GRAPHICS AS REQUIRED
5. 30MM DIAMETER ILLUMINATED STAINLESS PUSH BUTTONS FITTED WITH BRAILLE PINS





**ECSP2020**

1801 MM HIGH 200MM X 200MM  
EXTERNALLY FIXED CALL POINT  
MANUFACTURED FROM 304 GRADE  
STAINLESS STEEL. POLYESTER POWDER  
COATED.

HELP PHONE GRAPHICS AT THE TOP ARE ON  
3 SIDES AND ARE FITTED WITH FLUSH  
MOUNTED 6.0MM OPAL POLYCARBONATE  
LENS BACKLIT LED

SUPPLIED STANDARD WITH CUSTOMISABLE  
STAINLESS STEEL MOUNTING PANEL

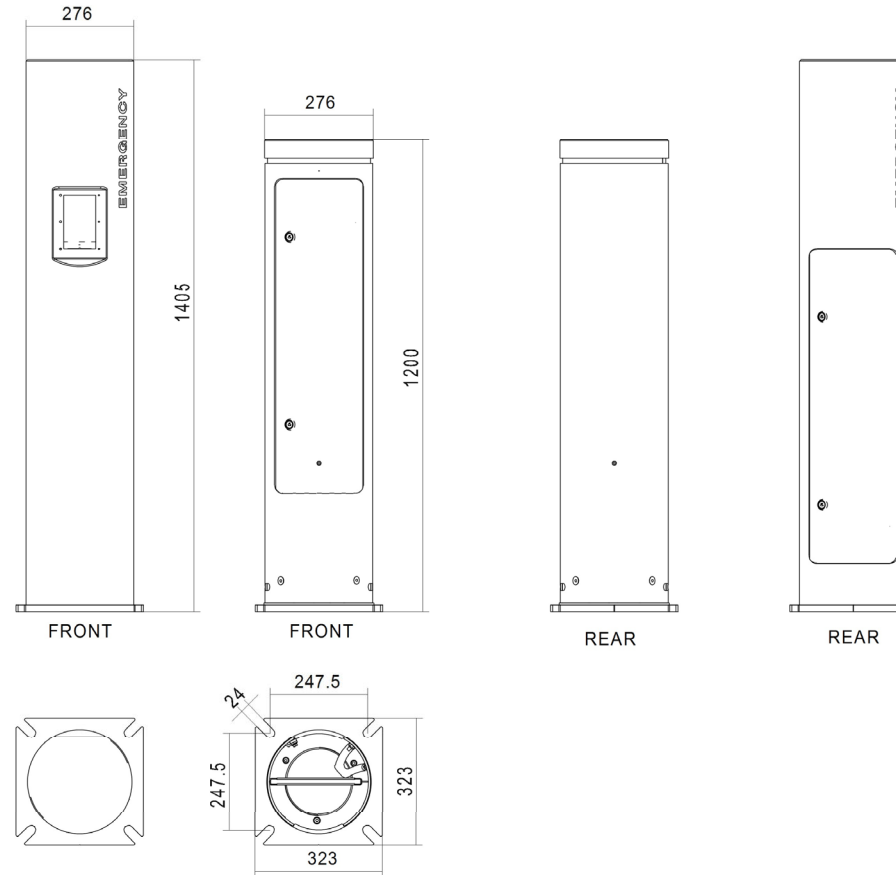
WHEN ORDERING SPECIFY:

1. POWDER COAT COLOUR
2. INTERCOM MODEL FOR CUSTOMISING MOUNT PLATE
3. OPTION OF MASTER KEY LOCKABLE AND HINGED ACCESS DOOR OR ACCESS PANEL WITH COUNTERSUNK SECURITY FASTENERS



**ECSP2020**

FLUSH MOUNTED OPAL POLYCARBONATE  
BACKLIT BY LED



**SDC021**

**SDC022**

**SDC021 & SDC022**

KINGSFORD SMITH DRIVE PROJECT

**SDC021** ECP INTERCOM PILLAR WITH BACK-  
LIT OPAL POLYCARBONATE EMERGENCY  
SIGNAGE

**SDC022** LV & MAINS VOLTAGE  
DISTRIBUTION PILLAR. ROTATING OUTER  
CASE WITH SINGLE DOOR TO ACCESS LV  
TRANSFORMERS AND 1&3 PHASE OUTLETS

MANUFACTURED FROM 316 GRADE  
STAINLESS STEEL FINISHED WITH  
FLUROPOLYMER POWDER COAT



**SDC022**



**SDC021**



**SDC022**



**SDC022**